

LIBERATOR 2001R



Ideal Crane LLC is committed to designing and manufacturing the best electric hydraulic crane value in the industry. Our cranes are innovatively designed to perform to a higher standard of durability and reliability, and to provide the maximum duty cycle possible in an electric crane. For nearly 50 years we've backed that commitment with our limited lifetime structural warranty and factory direct technical support. You can be assured that your new Ideal Liberator crane will provide many years of dependable service.



Also available in tall, fold-down version
(See Liberator 2000R on back)



- ◆ Heavy duty industrial grade contactors. No automotive grade solenoids used.
- ◆ Power rotation utilizes robust, all steel turntable bearing with self locking worm gear final drive.
- ◆ Boom positions at 0°, 15°, 35° and 55° for flexibility needed to adapt to any job.
- ◆ Industrial planetary hoist provides fast line speeds, power efficiency and rugged dependability.

www.idealcrane.com

IDEAL CRANE LLC - PO BOX 35249 - TULSA, OKLAHOMA 74153-0249

LIBERATOR 2000R & 2001R 2000 lbs. maximum capacity - 6,500 ft-lbs crane rating

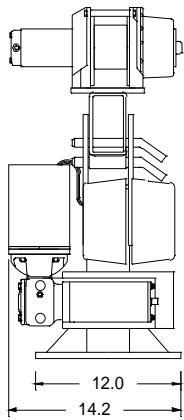
SPECIFICATIONS

Liberator 2000R and 2001R cranes come complete with 25' power cable, a crane ground cable, a 225 amp fuse, a 4' frame grounding cable, 16' remote control pendant, mounting bolts and owner's manual.

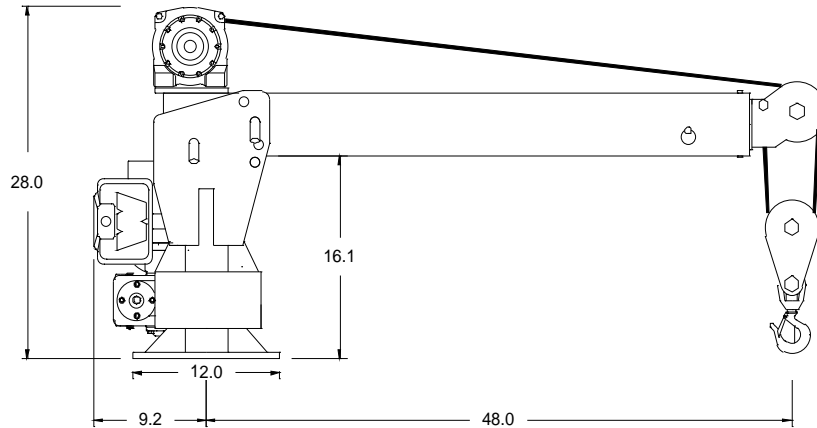
600 amp CCA battery and 100 amp alternator recommended. Stifflegs recommended for most installations.

► Maximum Lifting Capacities ◀

2000 Lbs.	@ 2' 4"	1259 Lbs.	@ 5' 2"
2000 Lbs.	@ 2' 10"	1181 Lbs.	@ 5' 6".
1857 Lbs.	@ 3' 6"	1040 Lbs.	@ 6' 3".
1625 Lbs.	@ 4' 0"	1000 Lbs.	@ 6' 6".
1500 Lbs.	@ 4' 4"		



L2001R From Rear

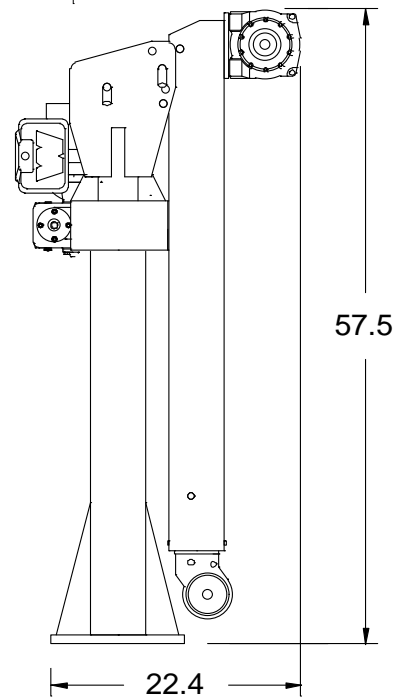


L2001R From Side

Crane base plate is
14" x 16"
Bolt Pattern is
14-3/4" x 11-1/2"

FEATURES:

- Boom extends manually from 4' to 6'6"
- Boom locks in 4 positions for lifting: 0°, 15°, 35° and 55°.
- Boom folds down when not in use on 2000R models.
- Smooth, 12 volt planetary hoist with low maintenance gearbox, high reliability and efficient operation.
- Hoist drum and rope sheaves meet ANSI standards (18 times wire rope diameter.)
- 28' x 3/16" wire rope. 30 feet per minute hoist line speed.
- Industrial grade motor contactors. No automotive type solenoids.
- Load block with safety latch and swivel for loads over 1,200 lbs.
- All steel worm gear rotation drive is mounted on steel slewing ring crane bearing and provides power rotation.
- Powder coat finish for high gloss and durability.
- 16' non metallic remote control pendant controls hoisting and rotation.
- Polymer wire rope pulleys are permanently lubricated to extend life and reduce wire rope wear.
- Mounting bolts provided (4 ea. 3/4" dia. Gr. 8).



L2000R From Rear



... better by design ...

PO Box 35249 - Tulsa, Oklahoma 74153-0249
(800) 622-6163 fax (918) 234-0564
www.idealcrane.com

Distributed by: